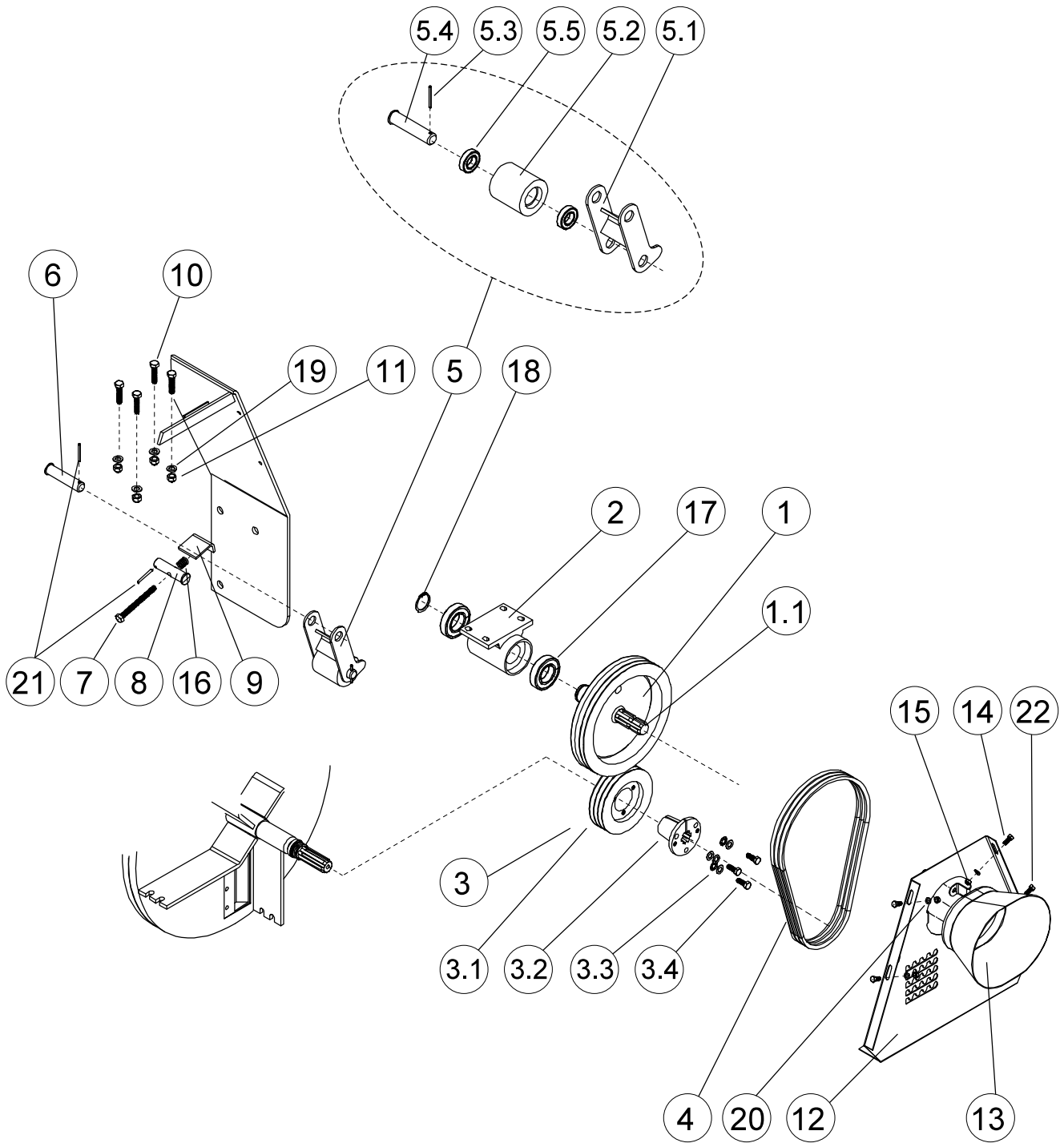


FARMI 100F

BELT TRANSMISSION FARMI 100F $i=2,0$



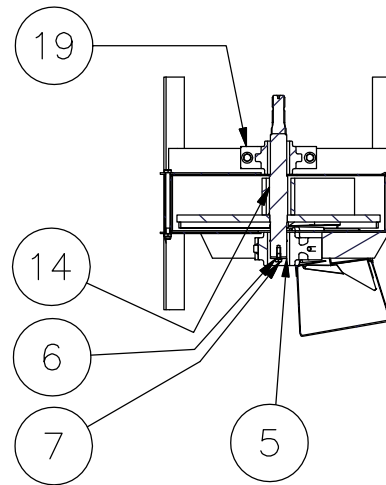
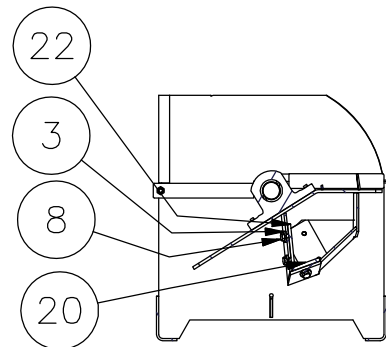
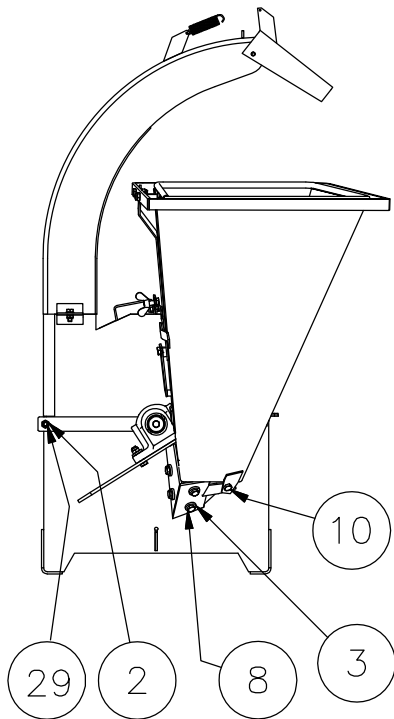
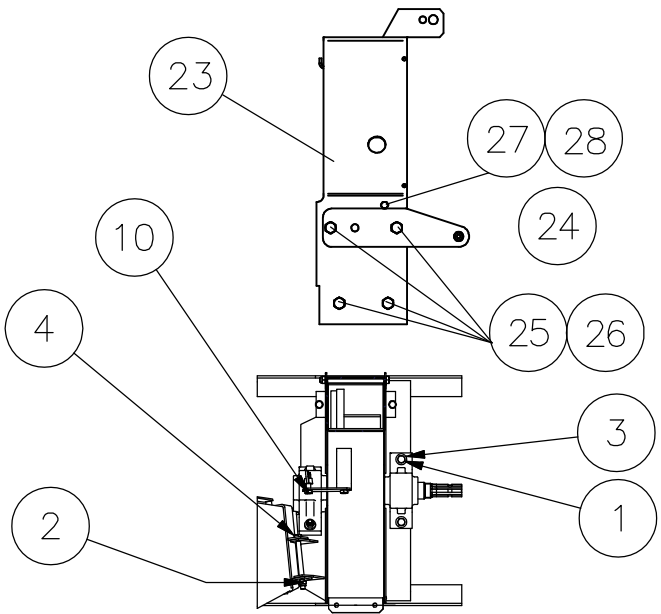
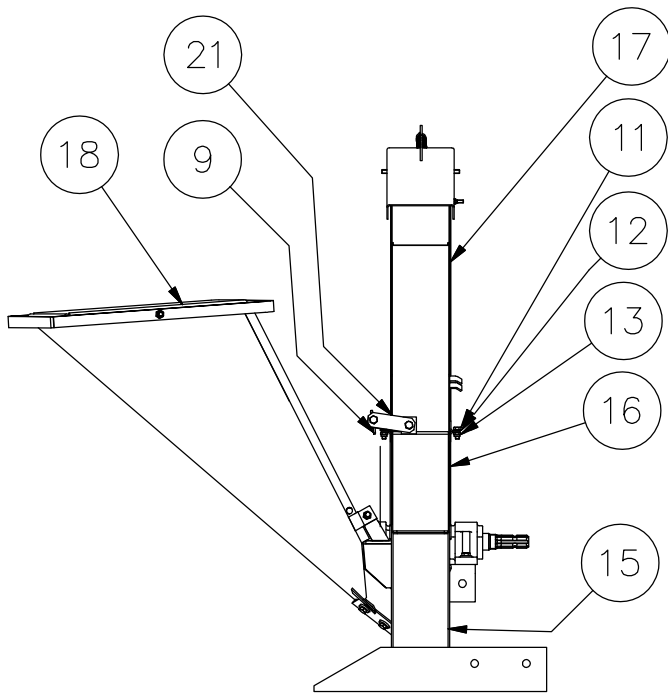
FARMI 100F

BELT TRANSMISSION FARMI 100F i=2,0

Part	Order no	Description	Remarks	Qty
1	53220540	Belt pulley	D315	1
1.1	43621220	Splined shaft		1
2	43514450	Bearing housing		1
3.1	43621240	Belt pulley	D150	1
3.2	43621230	Tapered adapter sleeve		1
3.3	52214269	Lock washer	M12 NORD-LOCK	3
3.4	52062023	Screw	M12X30 DIN933 88ZN	3
4	54822382	Belt		3
5	43512020	Belt tightener	complete	1
5.1	43512030	Belt tightener		1
5.2	43341106	Reel		1
5.3	52840055	Cotter pin	5X50 DIN1481	1
5.4	43341114	Pin		1
5.5	54511134	Slotted sealed ball bearing		2
6	43341114	Pin		1
7	52063658	Screw	M12x120 DIN933 88ZN	1
8	43511950	Pin		1
9	43512050	Adjusting plate		1
10	52090560	Screw	M12x50 DIN933 10.9	4
11	52117124	Lock nut	M12 DIN985 8ZN	4
12	33621380	Cover plate		1
13	43511780	Cover of the universal shaft		1
14	52060126	Screw	M8X20 DIN933 88ZN	4
15	52117082	Lock nut	M8 DIN985 8ZN	6
16	43402150	Spring		1
17	54512140	Ball bearing		2
18	52230257	Circlip	45x2,5 DIN471	1
19	52200466	Washer	M12 DIN440 ZN	4
20	52200037	Washer	M8 DIN126 58ZN	6
21	52840055	Cotter pin	5X50 DIN1481	2
22	52021250	Locking bolt	M8X16 DIN603 88ZN	2

FARMI 100F

FARMI 100 CHIPPER



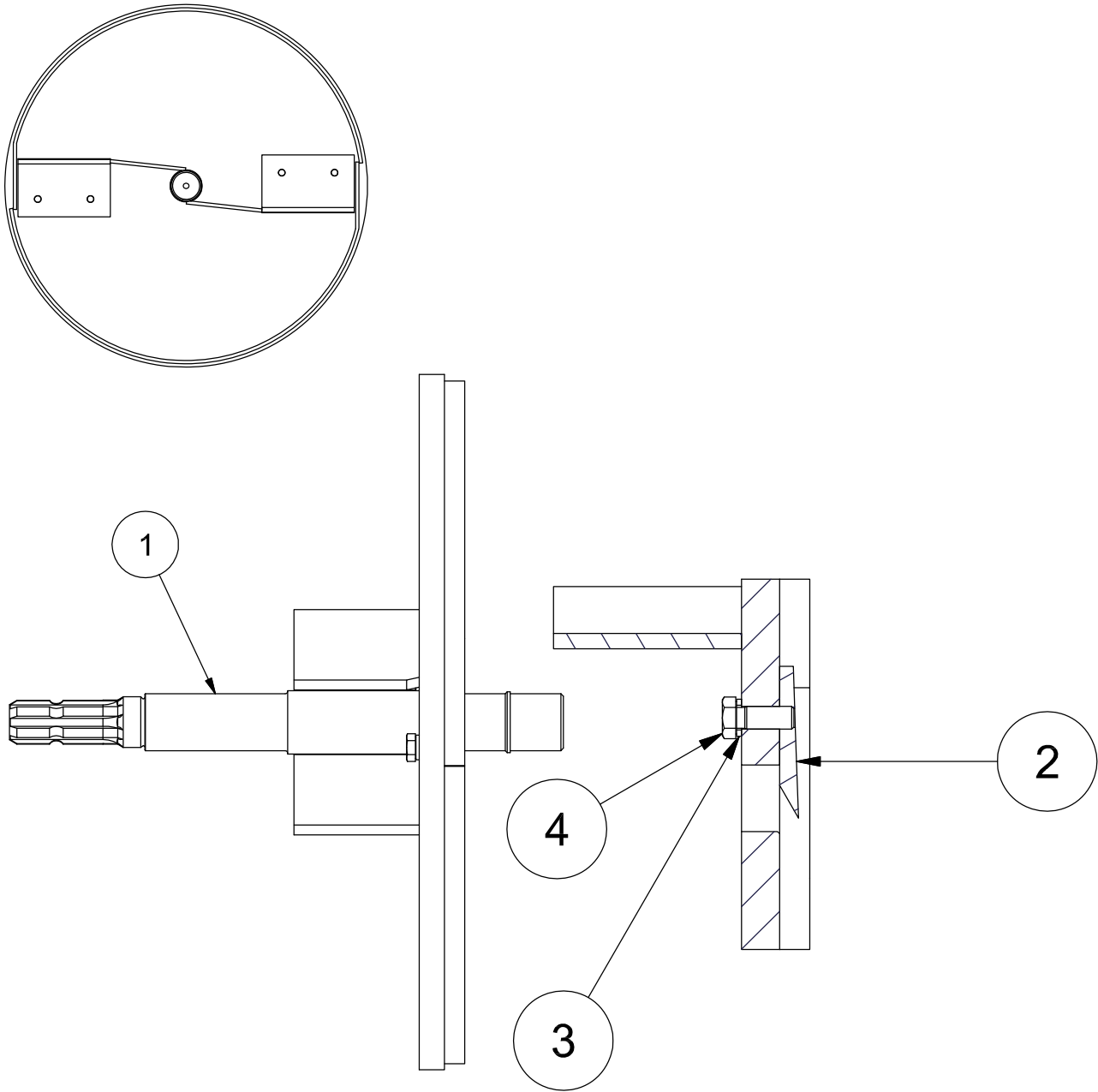
FARMI 100F

FARMI 100 CHIPPER

Part	Order no	Description	Remarks	Qty
1	52062041	Screw	M12X50 DIN933 88ZN	4
2	52117124	Lock nut	M12 DIN985 8ZN	7
3	52200490	Washer	M12 DIN 7349 ZN	8
4	52062502	Screw	M12X120 DIN931 88ZN	1
5	43340934	End plate		1
6	52211042	Spring washer	M10 DIN127 ZN	1
7	52060209	Screw	M10X16 DIN933 88ZN	1
8	52062015	Screw	M12X20 DIN933 88ZN	4
9	52117900	Butterfly nut	M12	1
10	52062023	Screw	M12X30 DIN933 88ZN	2
11	52060225	Screw	M10X25 DIN933 88ZN	2
12	52200045	Washer	M10 DIN125 58ZN	2
13	52117108	Lock nut	M10 DIN985 8ZN	2
14	33620100	Disc		1
15	33620250	Lower chamber		1
16	33620350	Upper chamber		1
17	33620400	Discharge pipe		1
18	33620650	Drop spout		1
19	43620660	Bearing system		2
20	43620670	Anvil		1
21	43620690	Support for transport		1
22	43620700	Side anvil		1
23	33620850	Mounting frame		1
24	43343790	Drawbar		1
25	52062213	Screw	M20X40 DIN933 88ZN	8
26	52117207	Lock nut	M20 DIN985 8ZN	8
27	52062015	Screw	M12X20 DIN933 88ZN	2
28	52117124	Lock nut	M12 DIN985 8ZN	2
29	52062486	Screw	M12x180 DIN931 88ZN	1

FARMI 100F

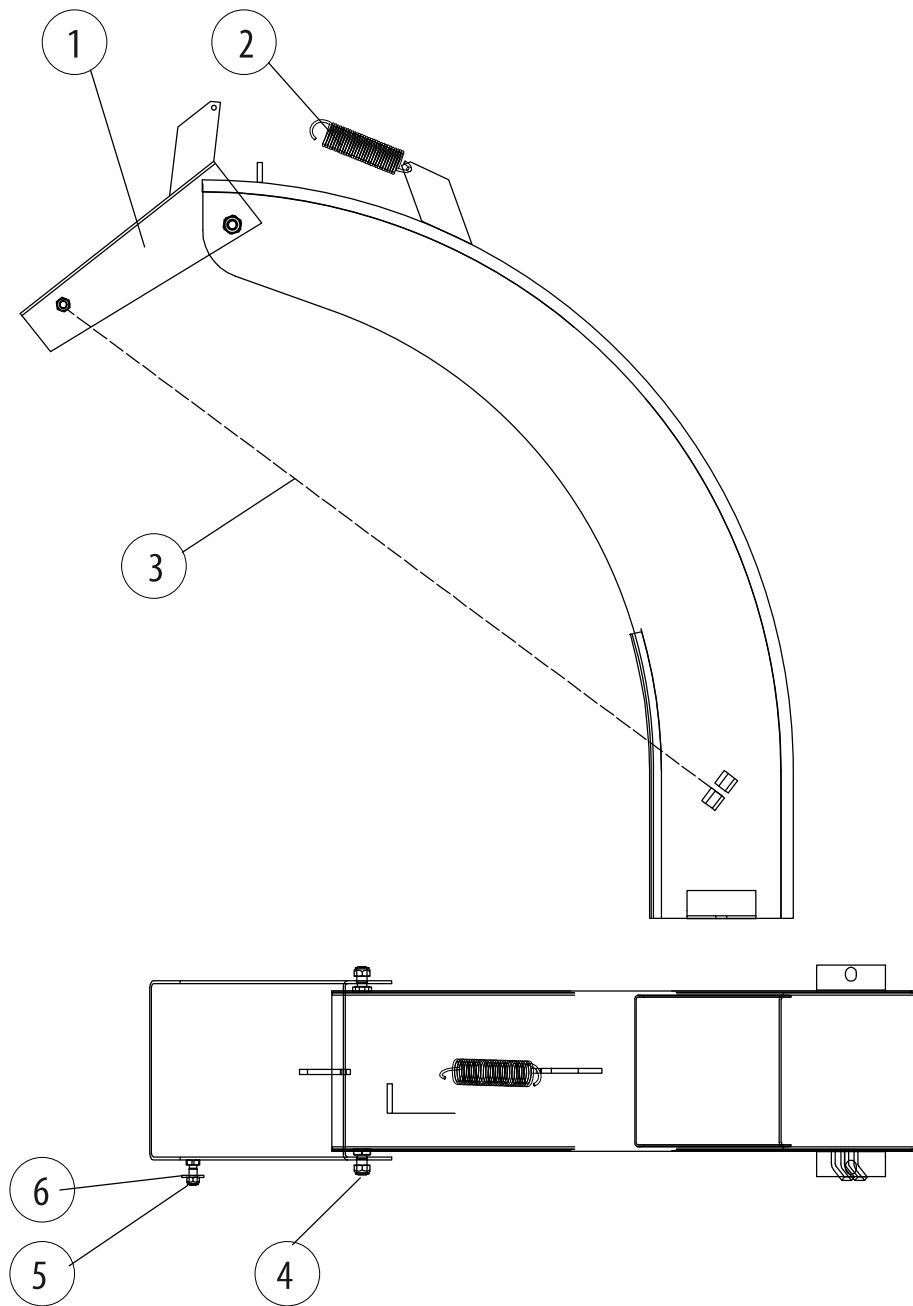
DISC, COMPLETE



Part	Order no	Description	Remarks	Qty
1	33620070	Disc		1
2	43620080	Knife		2
3	52214269	Lock washer	M12 NORD-LOCK	4
4	52091839	Screw	M12x30 DIN933 10.9ZN	4

FARMI 100F

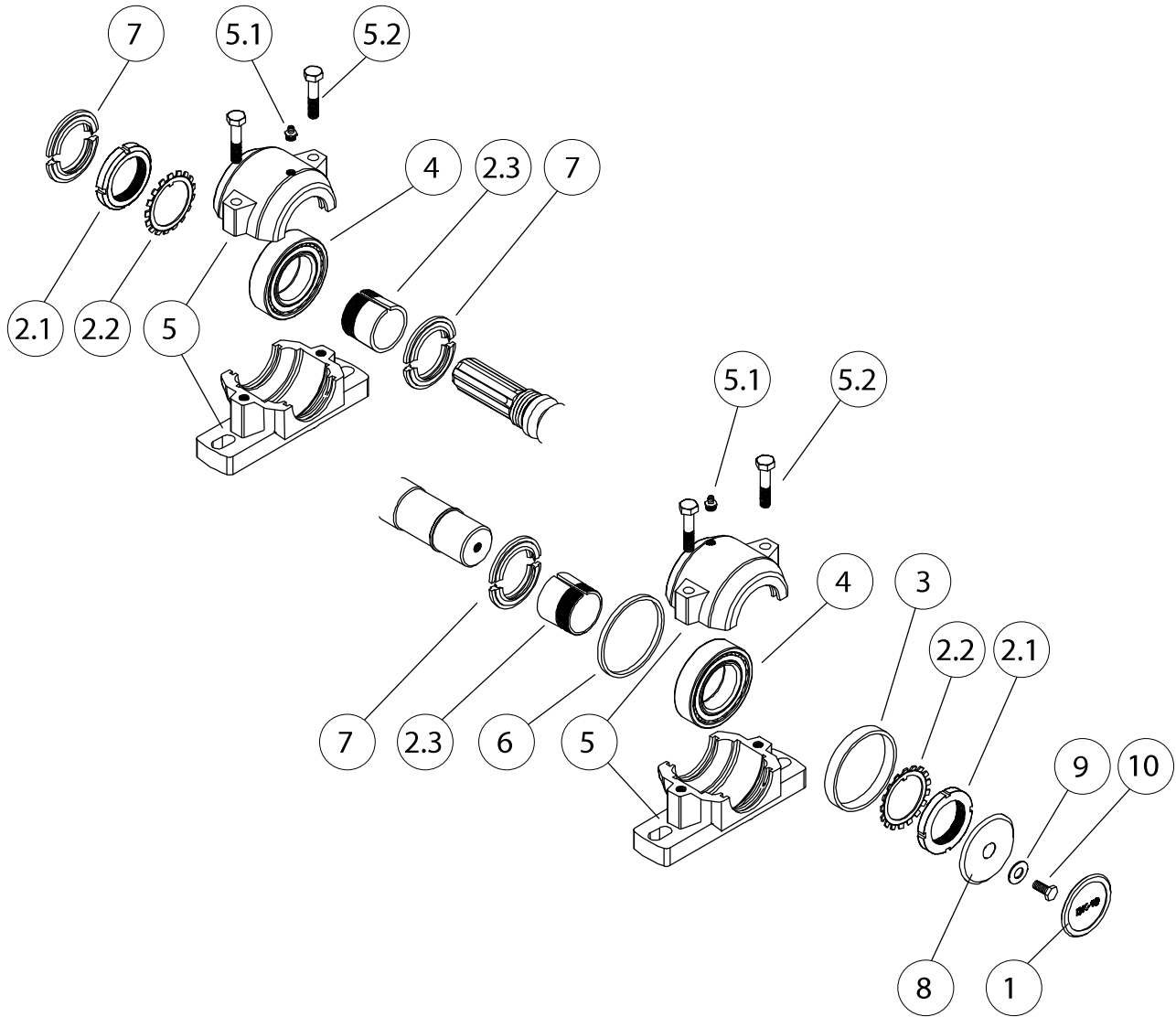
DISCHARGE PIPE



Part	Order no	Description	Remarks	Qty
	33620400	Discharge pipe	complete	1
1	43510240	Vizor		1
2	94612082	Tension spring		1
3	03514590	Chain		1
4	52117108	Lock nut	M10 DIN985 8ZN	2
5	52117082	Lock nut	M8 DIN985 8ZN	1
6	52200037	Washer	M8 DIN126 58ZN	1

FARMI 100F

FARMI 100 BEARING SYSTEM



Part	Order no	Description	Remarks	Qty
1	54513569	Dust cover		1
2	54512371	Tightener sleeve	complete	2
2.1	-	Axle nut		1
2.2	-	Locking plate		1
2.3	-	Tightener sleeve		1
3	43513360	Spacer ring	D90/83X12.7	1
4	54512363	Tapered roller bearing		2
5	54513590	Bearing housing		2
5.1	52401015	Grease nipple	AR1/8	1
5.2	-	Screw	M10x50 DIN 931 10.9	2
6	43513350	Spacer ring	D90/83X5.4	1
7	52334232	Seal		1
8	43340934	End plate		1
9	52214251	Lock washer	M10 NORD-LOCK	1
10	52060928	Screw	M10X20 DIN933 88	1